



ZENITH Engineering Pte Ltd No 34 Joo Koon Circle Singapore 629060
T: (65) 6861 1100 F: (65) 6862 1948 E: info@ze.com.sg W: www.ze.com.sg

IG ZENITH Sdn Bhd (480123-H)
Lot 6975, Batu 12, Jalan Balakong, 43300 Balakong, Selangor, Malaysia
T: (60-3) 8962 1060/61 F: (60-3) 8962 1062

Dust-screw (Spiral Waste Bin) With Binlifter for EN840-compliance wheeled-bins

Well proven to be the equipment of choice by many developers and end-users for its level of hygiene, reliability and ease of use.

Suitable for high-rise apartments, commercial buildings, market & hawker centers, shopping malls, hospitals, government institutions amongst others .



Arena Green Condo



Sri Sentosa Hawker Center



Mentari Condo



Danau Kota Hawker & Market

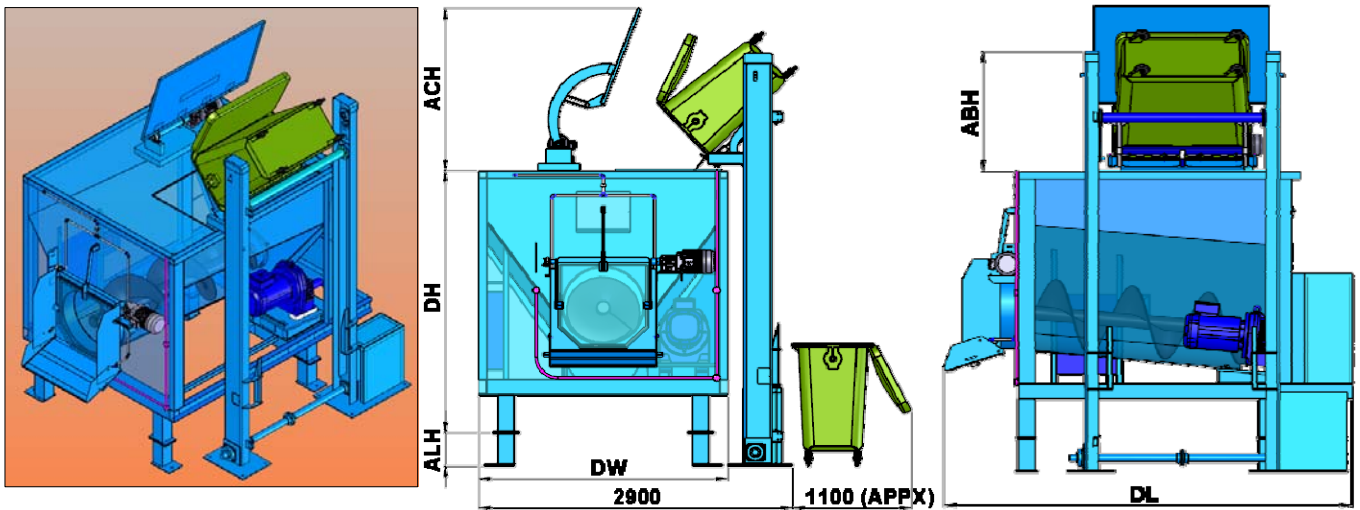


Vista Amani Condo



Pantai Hospital

DUSTSCREW (Spiral Waste Bin) with Bin Lifter - General Specification



	SHORT SCREW	LONG SCREW	DOUBLE SCREW
--	-------------	------------	--------------

Model			SS 4	SS 5	SS 6	LS 6	LS 8	DS 8	DS 10	DS 12	DS 14
Body Volume		M ³	4.2	5.0	6.0	6.0	8.0	8.0	10.0	12.0	14.0
Est capacity (density 0.25MT/m ³) *		MT	1.1	1.3	1.5	1.5	2.0	2.5	3.1	3.7	4.3
Bin Centre Ceiling Height	BC (H)	mm	5,000	5,000	5,800	5,000	5,500	5,000	5,500	5,900	6,300
Dustscrew Length	DL	mm	3,115	3,115	3,115	3,660	3,660	5,400	5,400	5,400	5,400
Dustscrew Width	DW	mm	2,300	2,300	2,300	2,300	2,300	2,300	2,300	2,300	2,300
Dustscrew Height	DH	mm	2,720	2,720	3,430	2,695	3,150	2,650	3,100	3,500	3,950
Additional Leg Height	ALH #	mm	300~500 (depending on how much drop in level between bin-center floor to the road level)								
Additional Top Cover Height	ACH	mm	1,700	1,700	1,700	1,700	1,700	1,700	1,700	1,700	1,700
Additional Bin Lifter Height	ABH	mm	1,200	1,200	1,200	1,200	1,200	1,200	1,200	1,200	1,200
Height from ground (RCV)	HH	mm	1,200	1,200	1,200	1,200	1,200	1,200	1,200	1,200	1,200
Width of discharge hopper	HW	mm	970	970	970	970	970	970	970	970	970
Motor (discharge screw)		kW	4	4	4	4	5.5	5.5	5.5	5.5	5.5
(transfer screw)		kW	NA	NA	NA	NA	NA	4	4	4	4

NOTES :

- * Double-screw configuration allows approx 10% compaction ratio .
- # The Additional leg would depends if there is any drop in ground level between the bin-center floor and the road which the Rear Loader parks during discharge operation.
- Discharge Rate approx 1 m³ per minute
- It is recommended provide us the CAD drawing of the bin-center (All 3 elevations, front, side & plan) for superimposing the Dustscrew to ascertain bin- center dimensions are adequate.
- All dimensions & measurements given above have a tolerance of +/- 5 %. Above data does not apply to custom-built units .

Painting External: 2 coats Epoxy Primer , 1 coat Epoxy finishing
Internal: 2 coats of coal Tar Epoxy up to 200 microns

Control Panel instruments : Status indicator for - Electrical supply, screw motors, gate motors & washing device
: Voltage & current meters

Standard Features : Bottom Drainage (to Gully-trap) : Main Electrical Control Panel
(Features may differ for retrofitting in old bin centers) : Motor-overload protection : Full-Auto & Manual mode

Optional Features : Internal auto flushing : Auto Fire sprinkler system
: Auto flushing system at discharge hopper : Full-load alert via GSM network
: Stainless Steel discharge hopper : De-odourizer with timer

Note : The above specifications are subject to changes due to the need for continuous improvement without the need of any prior notice from the part of our company .



Lifts 120 to 660 ltr DIN bins

Safe , simple and easy to use .

Fully automatic push-button controls .

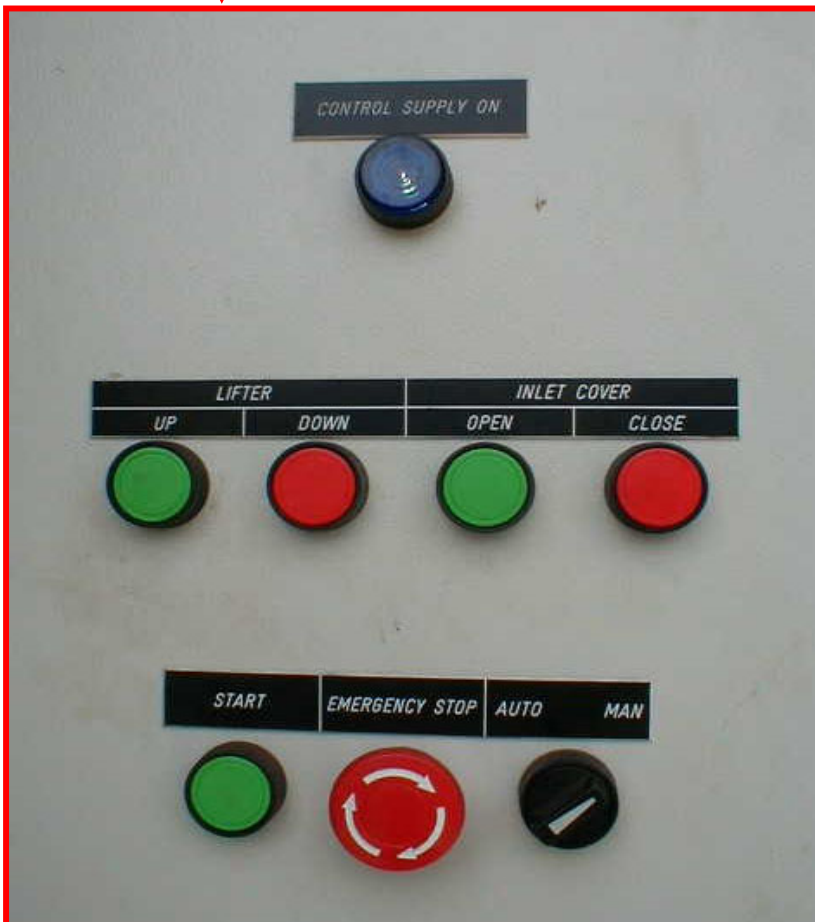
Reliable , durable , trouble-free



Chain & Sprocket design for reliability & minimal maintenance



Timer controlled to complete 1 cycle , typically between 45 secs to 90 secs .



Binlifter Operation Panel

Simple & easy to operate
Fully-Auto or Manual mode

Automatic mode allows the whole binlifting cycle to be completed with 1 press of the start button .

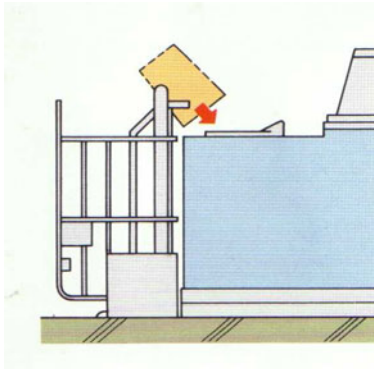
Emergency Stop button cuts off all electrical supplies and immobilise the whole system.

Manual mode is used during maintenance & servicing allowing service personnel to manipulate the binlifter with ease .

Bin Lifter System

Suitable for Bin-centers without Refuse Chute system. Most suitable for commercial or office buildings, food & market center and bin-centers for residential apartments .

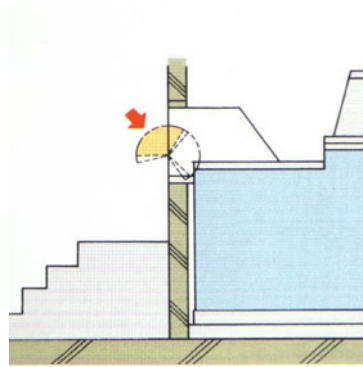
Bin-lifts are mostly built to handle DIN standard bins from 240 ltr to 660 ltrs, binlift can be located on either side or at the rear.



Fixed Volume hopper

Most suitable for high rise residential apartments , either with common refuse chute or a stand alone bin-center. The fixed-volume hopper ensures no bulky waste is discharge into the dustscrew .

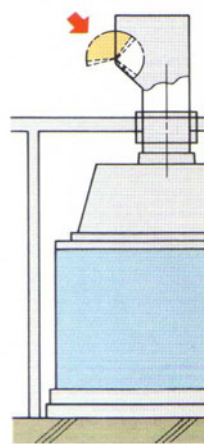
The hopper can be operated by hand, push-buttons or foot-pedal.



Dimension of Hopper opening :

For residential apartments
 L x B approx 380 x 300 mm

For commercial (eg markets, hawkers, offices, shopping malls)
 L x B approx 500 x 450 mm



Direct Discharge method

Suitable for commercial complexes whereby the users are limited to the appointed cleaners to ensure safe and proper disposal of refuse .

