

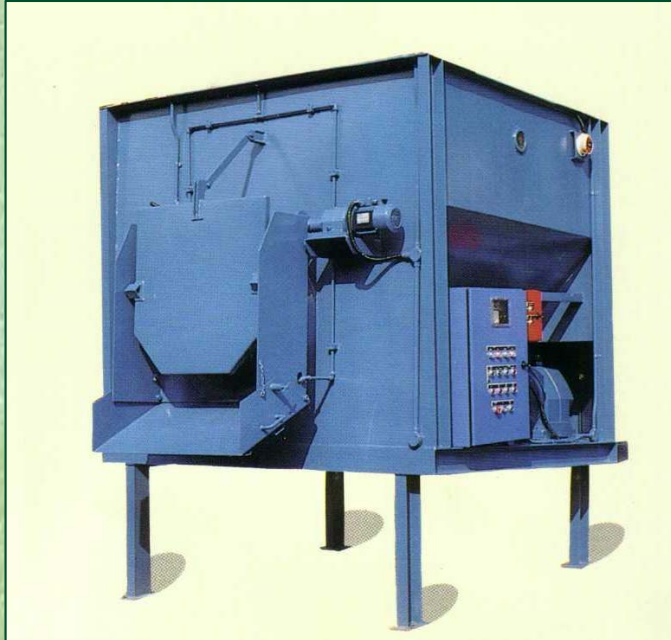


ZENITH Engineering Pte Ltd No 34 Joo Koon Circle Singapore 629060
T: (65) 6861 1100 F: (65) 6862 1948 E: info@ze.com.sg W: www.ze.com.sg

IG ZENITH Sdn Bhd (480123-H)
Lot 6975, Batu 12, Jalan Balakong, 43300 Balakong, Selangor, Malaysia
T: (60-3) 8962 1060/61 F: (60-3) 8962 1062

Dust-screw (Spiral Waste Bin)

Tailor Made to your needs



ZENITH Dust-screw (Spiral Waste Bin) is the ideal solution to waste management problems.

Most suitable for high-rise public or private apartments, commercial buildings, market & hawker centers, shopping malls and even river floating debris collection system.

Fully automated to minimize manual labours (it is getting harder everyday trying to employ people to handle refuse and government discourages on using foreign labours).

The unit can be built to sizes ranging from 4.0 to 14.0 cubic meters of body volume in single or double screw configurations, offering a variety of options like fire-controls, bin-lifters, manual-hoppers, auto-wash amongst others.

Well proven to be the equipment of choice by many developers and end-users for its level of hygiene, reliability and ease of use.



Public apartments



Hospital



Market and Hawker Center



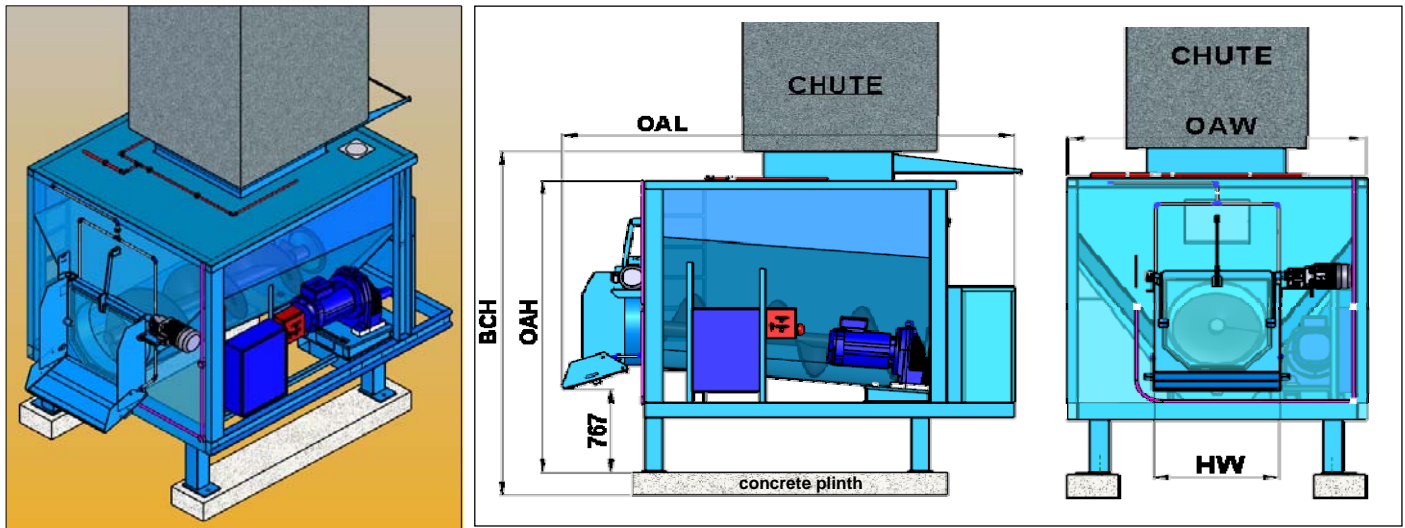
Private Condominium



ZENITH Engineering Pte Ltd No 34 Joo Koon Circle Singapore 629060
 Tel: (65) 6861 1100 Fax: (65) 6862 1948 Email : info@ze.com.sg Website : www.ze.com.sg

IG ZENITH Sdn Bhd (480123-H) Lot 6975, Batu 12, Jalan Balakong, 43300 Balakong, Selangor, Malaysia
 Tel: (60-3) 8962 1060/61 Fax: (60-3) 8962 1062

DUSTSCREW (Spiral Waste Bin) : Single-Screw Version for Central-Refuse-Chute (CRC) System



SHORT SCREW

LONG SCREW

Model			SS-4	SS-5	SS-6
Body Volume		M ³	4.2	5.0	6
Est capacity (density 0.25MT/m ³)		MT	1.1	1.3	1.5
Bin Centre Ceiling Height	BC (H)	mm	3,200	3,200	3,900
Overall Ext Length	OAL	mm	3,115	3,115	3,115
Overall Ext Width	OAW	mm	2,300	2,300	2,300
Overall Ext Height	OAH	mm	2,720	2,720	3,430
# Add concrete plinth :		mm	210	210	210
Height from ground (RCV)	HH *	mm	1,200	1,200	1,200
Width of discharge hopper	HW	mm	970	970	970
Motor		kW	4	4	4

Model		
	LS-6	LS-8
Body Volume	6	8
Est capacity (density 0.25MT/m ³)	1.5	2.0
Bin Centre Ceiling Height	3,200	3,600
Overall Ext Length	3,660	3,660
Overall Ext Width	2,300	2,300
Overall Ext Height	2,695	3,150
# Add concrete plinth :	210	210
Height from ground (RCV)	1,200	1,200
Width of discharge hopper	970	970
Motor	4	5.5

NOTES :

- * HH is the height from Road-level to the discharge hopper . There is a drop of approx 225mm from bin-center floor to the road level (where the Refuse truck would park during collection) . Non-HDB projects would require customisation of the Dustscrew overall height.
- # Concrete plinth is the block of concrete at the base to elevate the steel-legs to minimize corrosion (Mandatory for all Singapore HDB apartments)
- Discharge Rate approx 1 m³ per minute
- For any customized capacity , kindly contact our sales for discussion.
- It is recommended provide us the CAD drawing of the bin-center (All 3 elevations, front, side & plan) for superimposing the Dustscrew to ascertain bin-center dimensions are adequate.
- All dimensions & measurements given above have a tolerance of +/- 5 % . Above data does not apply to custom-built units .

Painting

External: 2 coats Epoxy Primer , 1 coat Epoxy finishing
 Internal: 2 coats of coal Tar Epoxy up to 200 microns

Control Panel instruments

: Status indicator for - Electrical supply, screw motors, gate motors & washing device
 : Voltage & current meters

Standard Features

(Features may differ for retrofitting in old bin centers)

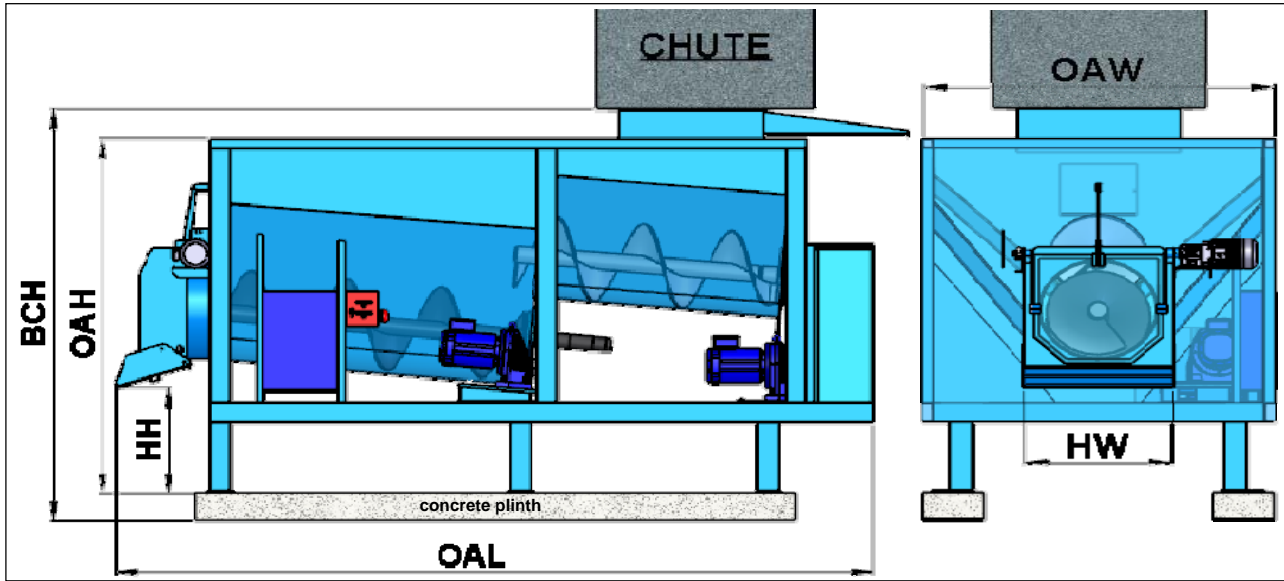
: Bottom Drainage (to Gully-trap) : Full-Auto & Manual mode
 : Motor-overload protection : Main Electrical Control Panel
 : Chute-connector to Central-Chute-system

Optional Features

: Internal auto flushing : Mechanical Bin-lifter for 240 to 660 ltr DIN bins
 : Auto Fire sprinkler system : Full-load alert via GSM network
 : PLC Fire-control system : De-odourizer with timer
 : Auto flushing system at discharge hopper

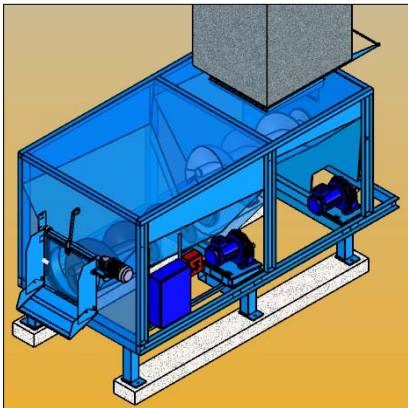
Note : The above specifications are subject to changes due to the need for continuous improvement without the need of any prior notice from the part of our company .

DUSTSCREW (Spiral Waste Bin) : Double-Screw Version for Central-Refuse-Chute (CRC) System



DOUBLE SCREW

Model			DS-8	DS-10	DS-12	DS-14
Body Volume		M ³	8	10	12	14
Est capacity (density 0.25MT/m ³) !		MT	2.5	3.1	3.7	4.3
Bin Centre Ceiling Height	BC (H)	mm	3,200	3,200	3,200	3,200
Overall Ext Length	OAL	mm	5,400	5,400	5,400	5,400
Overall Ext Width	OAW	mm	2,300	2,300	2,300	2,300
Overall Ext Height	OAH	mm	2,650	3,100	3,500	3,950
# Add concrete plinth :		mm	210	210	210	210
Height from ground (RCV)	HH *	mm	1,200	1,200	1,200	1,200
Width of discharge hopper	HW	mm	970	970	970	970
Motor (discharge screw)		kW	5.5	5.5	5.5	5.5
(transfer screw)		kW	4	4	4	4



NOTES :

- ! Double-screw configuration allows approx 10% compaction ratio .
- * HH is the height from Road-level to the discharge hopper . There is a drop of approx 225mm from bin-center floor to the road level (where the Refuse truck would park during collection) . Non-HDB projects would require customisation of the Dustscrew overall height.
- # Concrete plinth is the block of concrete at the base to elevate the steel-legs to minimize corrosion (Mandatory for all Singapore HDB apartments)
- Discharge Rate approx 1 m3 per minute
- For any customized capacity , kindly contact our sales for discussion.
- It is recommended provide us the CAD drawing of the bin-center (All 3 elevations, front, side & plan) for superimposing the Dustscrew to ascertain bin- center dimensions are adequate.
- All dimensions & measurements given above have a tolerance of +/- 5 % . Above data does not apply to custom-built units .

Painting

External: 2 coats Epoxy Primer , 1 coat Epoxy finishing
 Internal: 2 coats of coal Tar Epoxy up to 200 microns

Control Panel instruments

: Status indicator for - Electrical supply, screw motors, gate motors & washing device
 : Voltage & current meters

Standard Features

(Features may differ for retrofitting in old bin centers)

: Bottom Drainage (to Gully-trap) : Full-Auto & Manual mode
 : Motor-overload protection : Main Electrical Control Panel
 : Chute-connector to Central-Chute-system

Optional Features

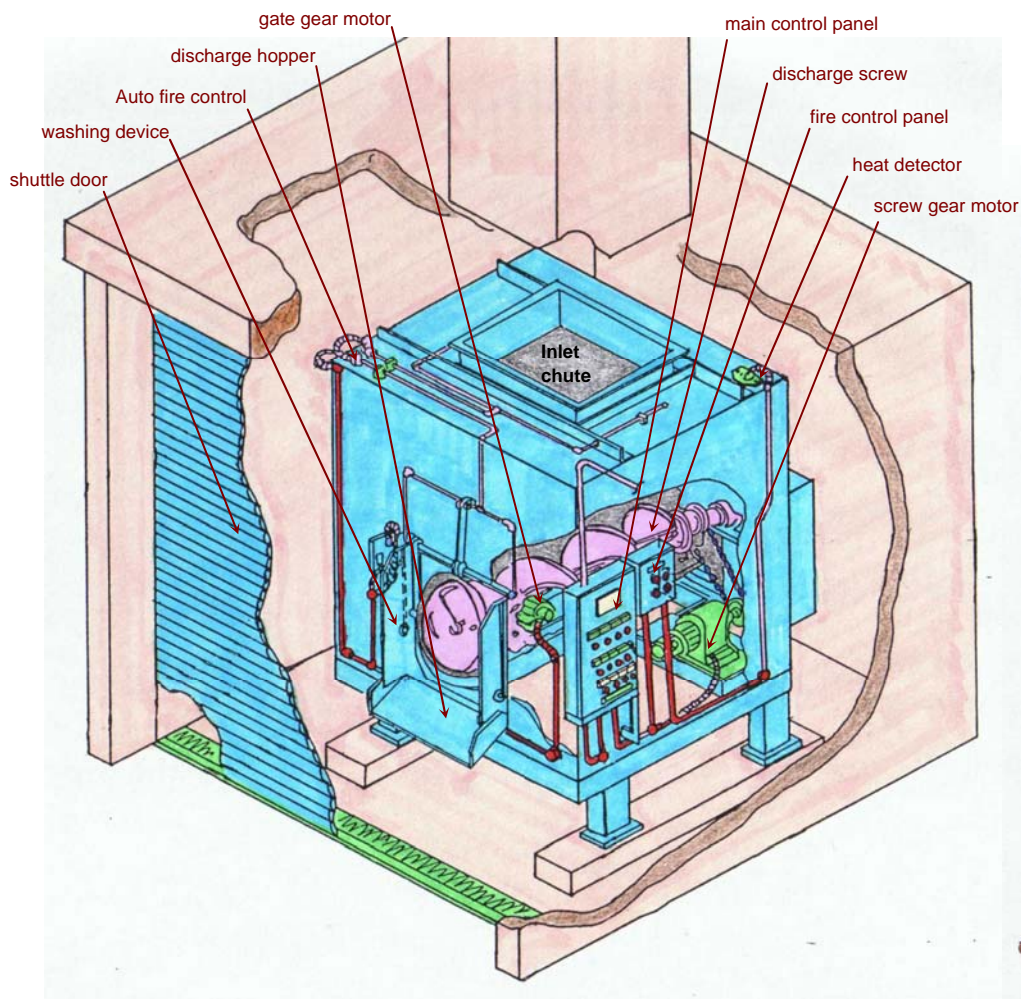
: Internal auto flushing : Auto Fire sprinkler system
 : Auto flushing system at discharge hopper : PLC Fire-control system
 : Mechanical Bin-lifter for 240 to 660 ltr DIN bins : Full-load alert via GSM network
 : De-odourizer with timer

Note : The above specifications are subject to changes due to the need for continuous improvement without the need of any prior notice from the part of our company .

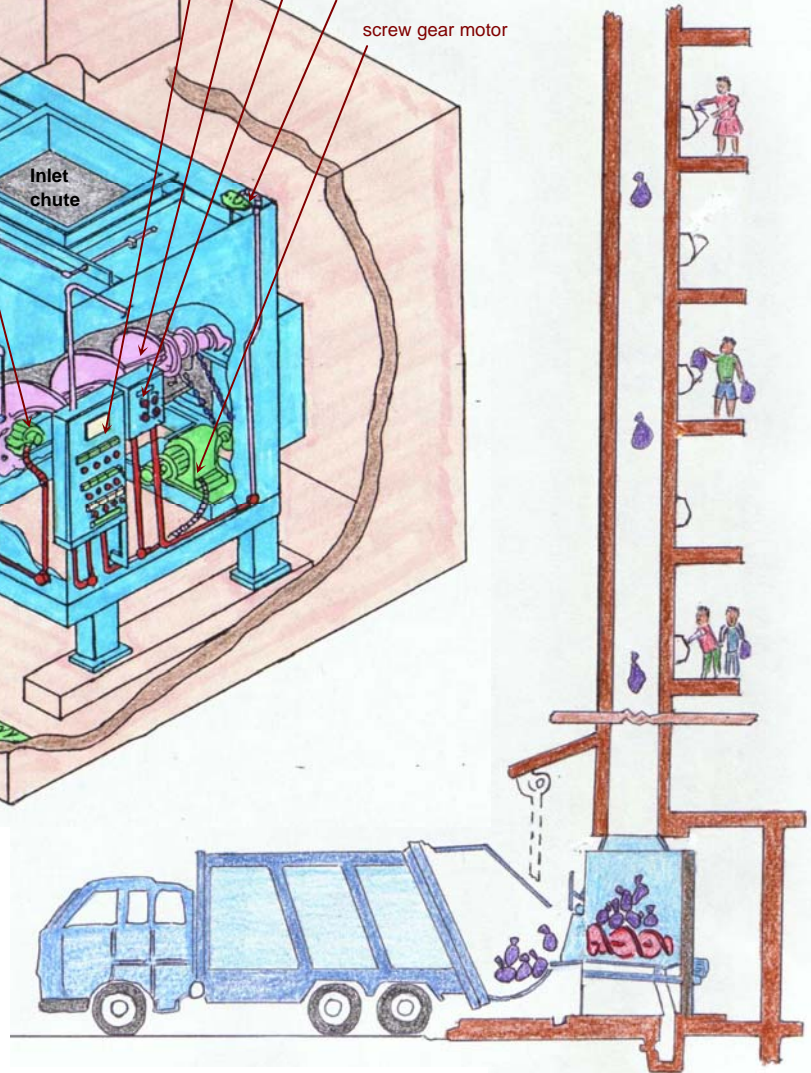


DUSTSCREW (Spiral Waste Bin) for Centralised Refuse Chute system

- 1) Totally enclosed
- 2) Constant drainage of sludge water
- 3) Fully automatic operation
- 4) Automatic water spray after each discharge operation & periodic flushing
- 5) Automatic fire detection , alarm & sprinkler system
- 6) Flexible capacity to suit application & site-dimensional constraint



... a better way for
refuse disposal ...



Between 1990 to 2010, over 2,000 units were installed by Zenith in Singapore