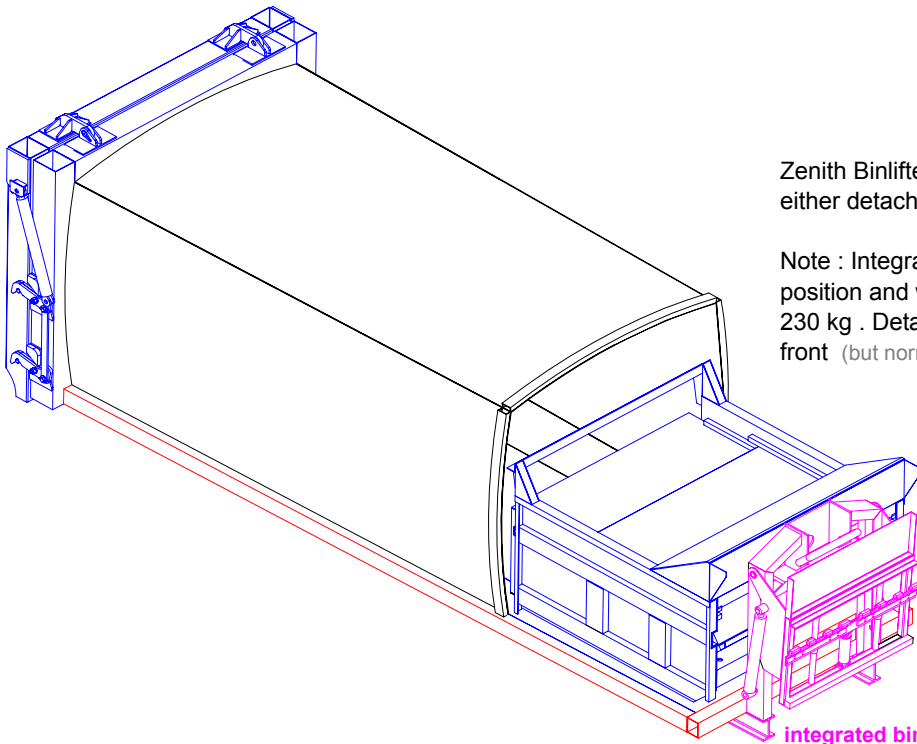


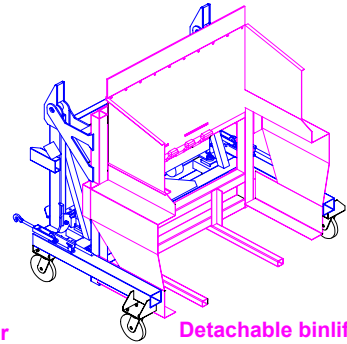


Zenith Binlifter for Mobile Compactors are available either detachable or integrated versions.

Note : Integrated binlifter is available only front mounted position and will reduce the payload by about 200 to 230 kg . Detachable binlifter can be on either side or in front (but normally NOT available in all 3 positions).



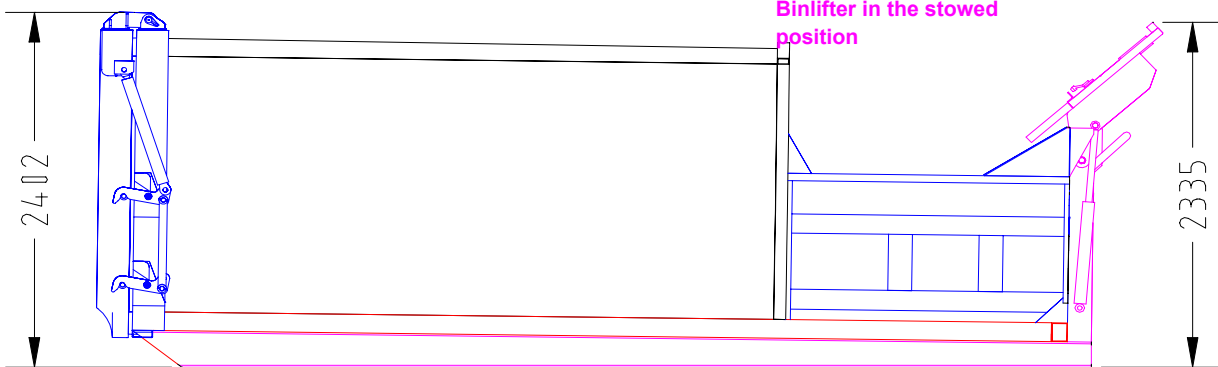
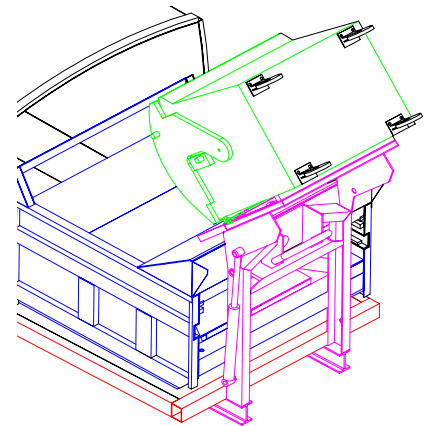
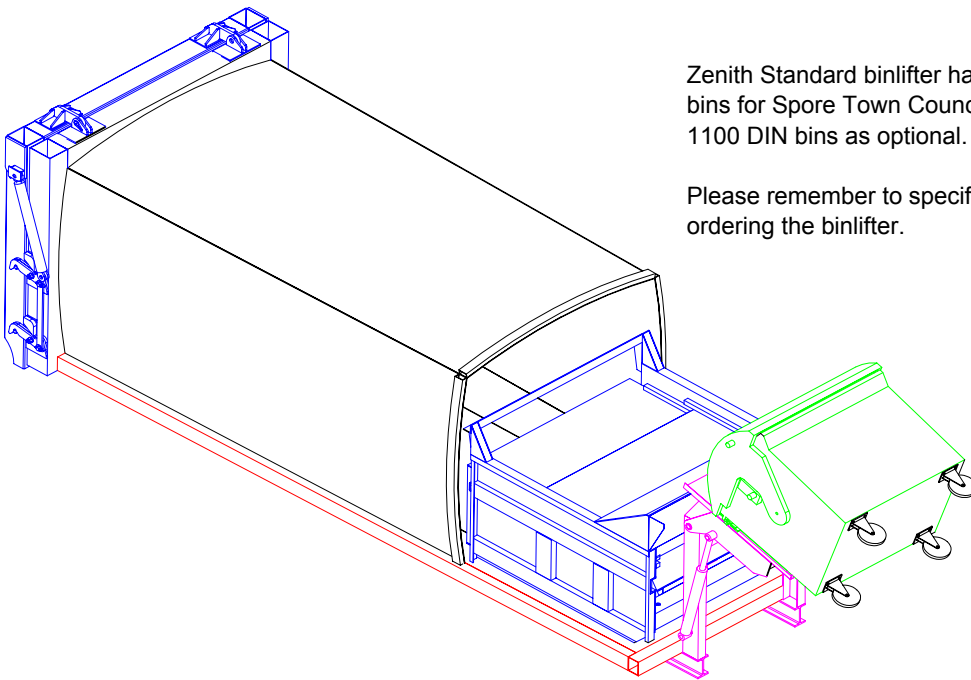
integrated binlifter



Detachable binlifter

Zenith Standard binlifter handles only 660 ltr DIN bins (and HDB bins for Spore Town Councils), but also available for 1000 and 1100 DIN bins as optional.

Please remember to specify the type and size of bins when ordering the binlifter.



Binlifter in the stowed position

All drawings not to scale : dimensions in mm with tolerance of +/- 3%